

---

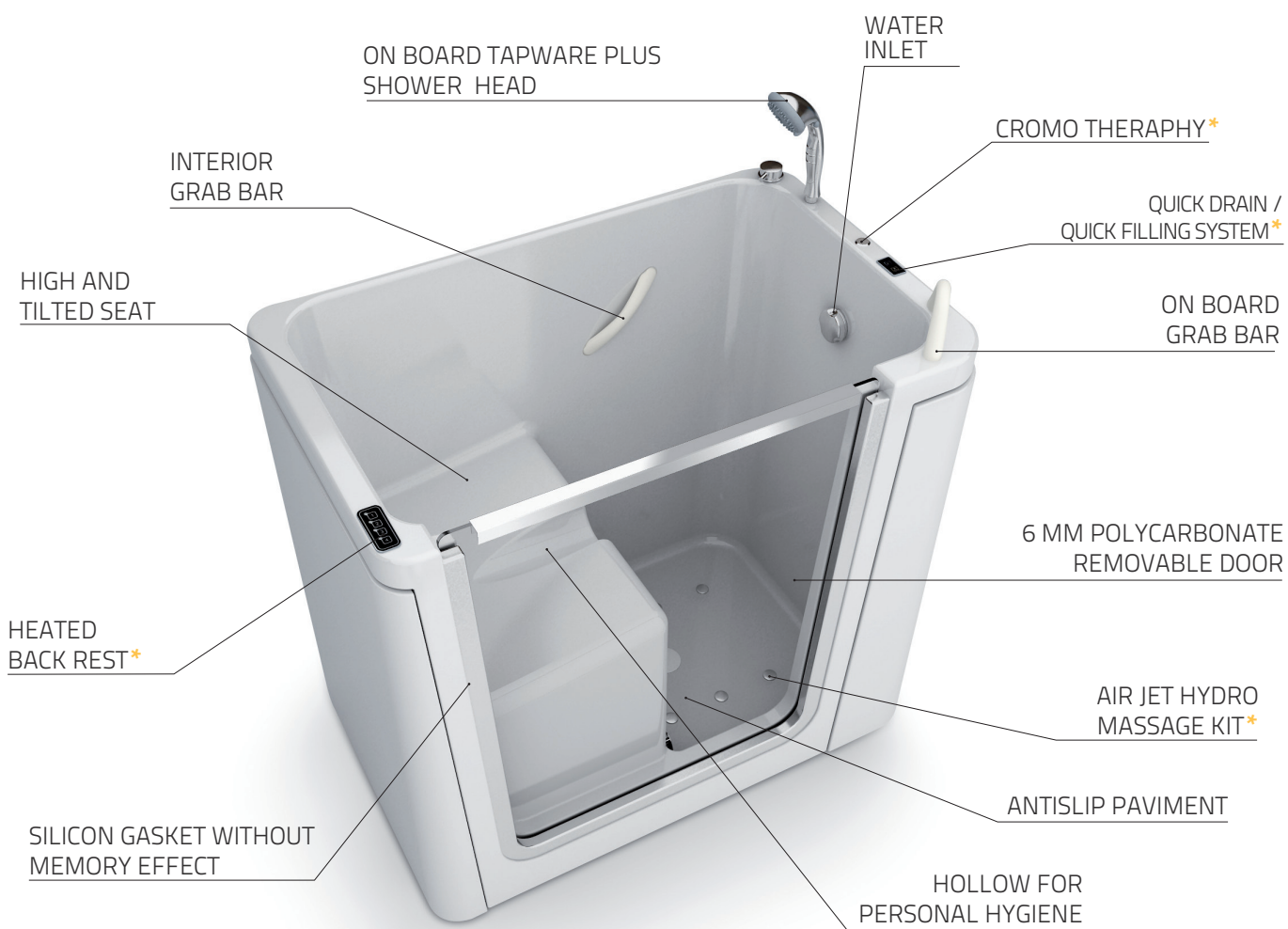
# Itaca

---

Wherever  
and for all

A bath for every space and every pocket, comfortable and safe. It comes with a light and handy removable door, which makes it adaptable to any environment.





\*OPTIONAL

DESCRIPTION

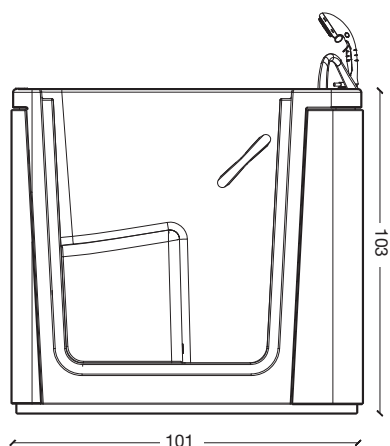
Itaca, was designed for bathrooms where space is very limited; In fact, it's main characteristic is having a light and handy door easy to remove and replace.

**Model 101cm:** four versions, two wall and two in the corner.

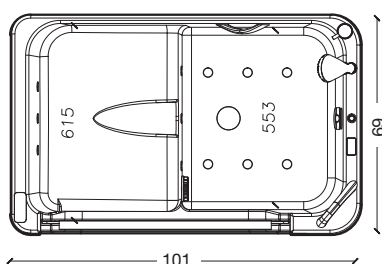
**Model 110cm:** four versions, two wall and two in the corner.

TECHNICAL DATA

CHARACTERISTICS:	Made in hand laid fiberglass
DIMENSIONS:	cm 101x69x103 cm 110x69x103
CAPACITY:	250 Liters ~ (without user)
WEIGHT:	54 Kg ~ (without accessories)
COLOUR AVAILABLE:	WHITE



FRONT VIEW



PLAN VIEW

