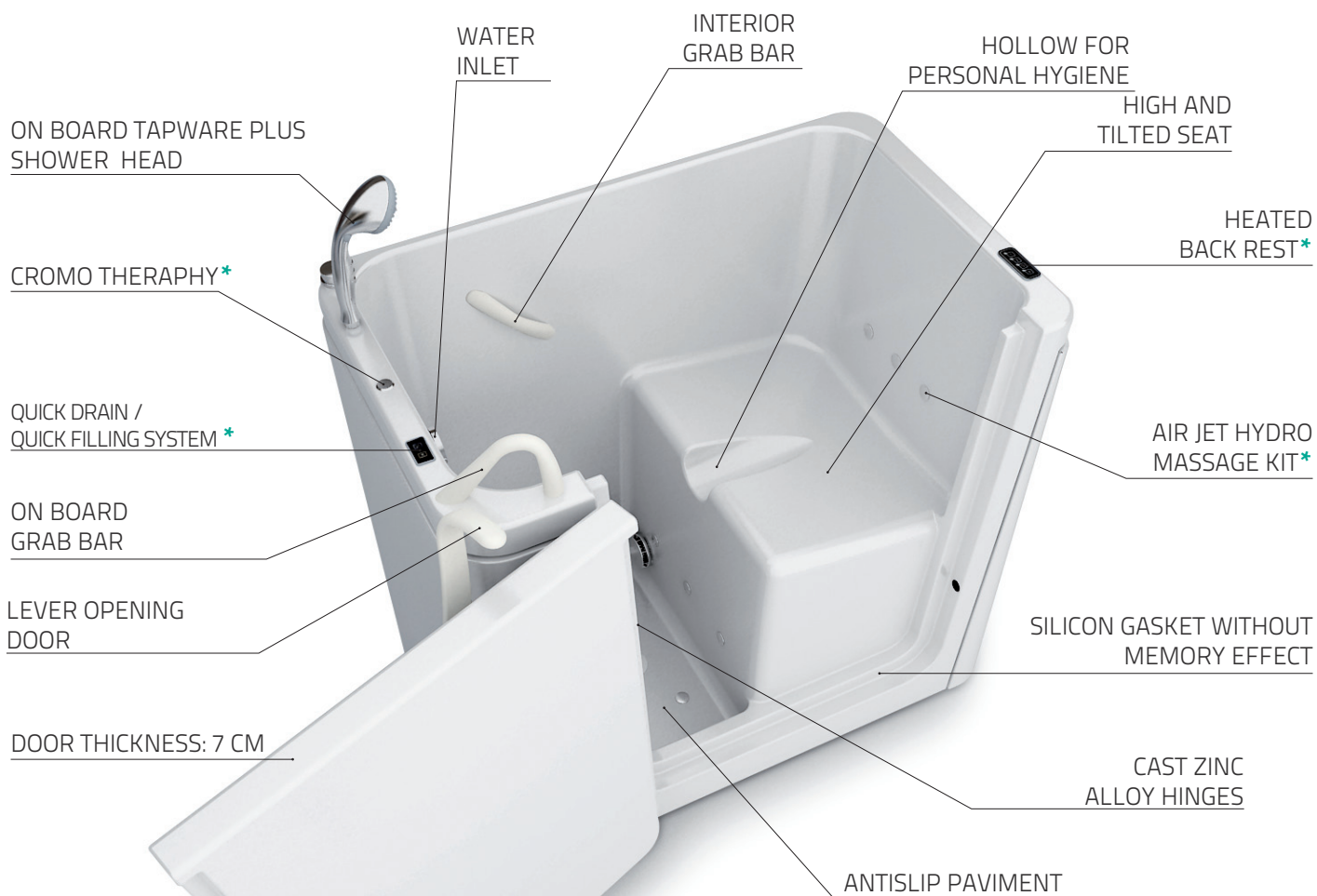

Samoa

Top on safety
and comfort

Big on safety and quality, Samoa has a large door with a secure seal. Great comfort and modern design, the tub best suited to the needs of people with disabilities.





*OPTIONAL

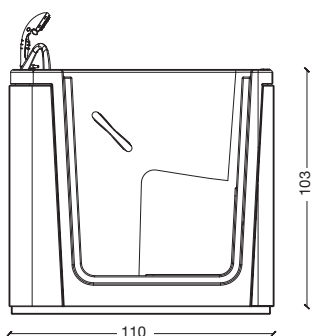
DESCRIPTION

Made entirely by hand laminated fiberglass, Samoa fits the needs of people with mobility difficulties due to its high seat and comfortable interior. Equipped with a large door that can

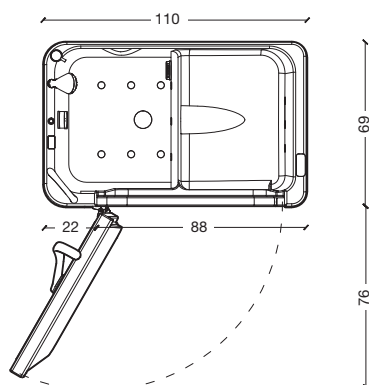
be opened up to 180 ° making it extremely easy to get in and out of the bath. **Eight versions:** four corner and four wall.

TECHNICAL DATA

CHARACTERISTICS:	Made in hand laid fiberglass
DIMENSIONS:	cm 110 x 69 x 103
CAPACITY:	270 Liters ~ (without user)
WEIGHT:	60 Kg ~ (without accessories)
COLOUR AVAILABLE:	WHITE



FRONT VIEW



PLAN VIEW

