

# hi-riser

(powder coated for dry rooms and stainless steel for wet rooms)



## Robust yet slimline

Hi-Riser is an electrically operated wall-mounted changing table that is suitable for children and adults of up to 200kg. Despite its robust structure, the Hi-Riser has a slimline design that ensures it fits easily into most environments.

## Easy transfers

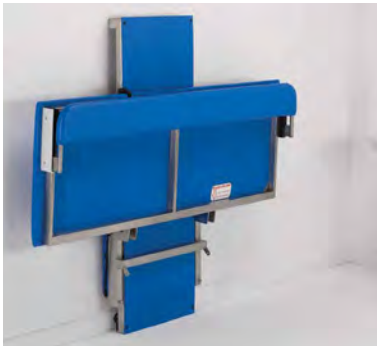
The Hi-Riser has been designed so that it can be used with most mobile or ceiling hoists. The unique safety side rail stows away, streamlining access for transfers from a wheelchair, shower and toileting chair. The Hi-Riser also benefits from an impressive travel range of 600mm.

## Providing options

We understand that every need is different, which is why the Hi-riser comes in seven different sizes that cater from young children through to adults. The Hi-Riser comes in a cream powder coated frame for dry-rooms or stainless steel frame for wet-rooms.

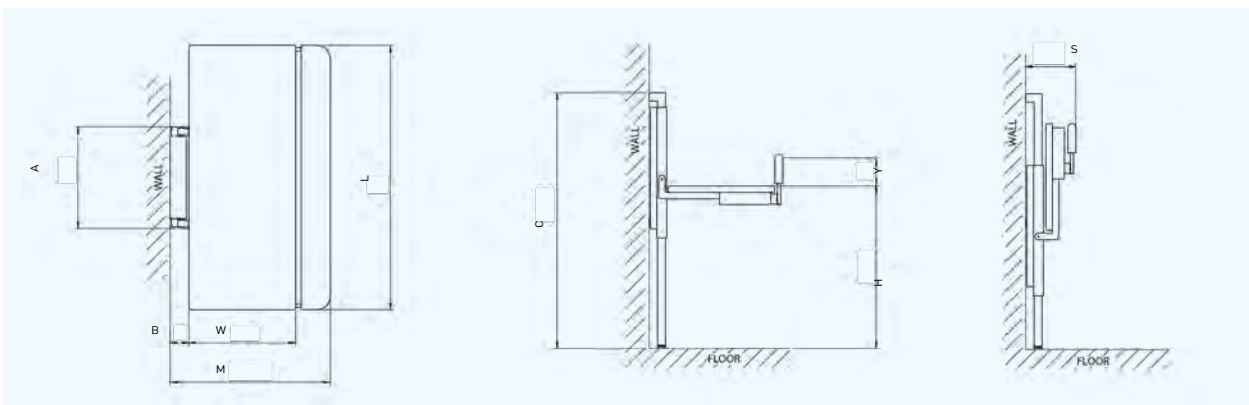
# hi-riser

## key features



- Electrically operated
- Wall and floor mounted
- Cream powder coated frame for dry rooms
- Stainless steel for wet rooms
- Available in 7 sizes
- Length of table available in 100mm increments from 1200mm – 1800mm
- Weight capacity of 200kg
- Impressive travel range of 600mm
- Folds away to save on space
- Easy to clean padded surfaces
- Wall mounting kit included
- Stowaway side rail

Mild Steel Powder Coated	Stainless Steel	Size	User Weight	Table Dimensions			Travel Range	Wall Frame Width	Wall Frame Depth	Wall Frame Height	Safety Side Height	Stored Width	Shipping Weight
				L mm	W mm	M mm		H mm	A mm	B mm			
3041	3051	1	200	1200	550	875	400 - 1000	700	110	1550	165	305	80
3042	3052	2	200	1300	550	875	400 - 1000	700	110	1550	165	305	82
3043	3053	3	200	1400	600	925	400 - 1000	700	110	1550	165	305	84
3044	3054	4	200	1500	600	925	400 - 1000	700	110	1550	165	305	86
3045	3055	5	200	1600	650	975	400 - 1000	700	110	1550	165	305	88
3046	3056	6	200	1700	650	975	400 - 1000	700	110	1550	165	305	90
3047	3057	7	200	1800	650	975	400 - 1000	700	110	1550	165	305	92



# hi-riser shower stretcher



## Two in one

The Hi-Riser shower stretcher is an easy to use two-in-one wall and floor mounted showering and changing table. Its robust yet slimline design makes it suitable for children and adults of up to 150kg. Its versatility means it offers the ideal solution for swimming, hydrotherapy and bathroom environments.

## Comfortable & hygienic

The Hi-Riser Shower Stretcher has been designed with reinforced PVC, making it highly supportive yet soft and comfortable to lie on. Its stainless steel frame facilitates easy cleaning, making it a perfect choice for multi-user environments.

## Quick drainage

The Hi-Riser Shower Stretcher is supplied with flexible pipe work to use with a suitable floor drain or, alternatively, it can be plumbed in. Water can easily be drained away using the drainage pipe, which can also be detached for cleaning purposes.