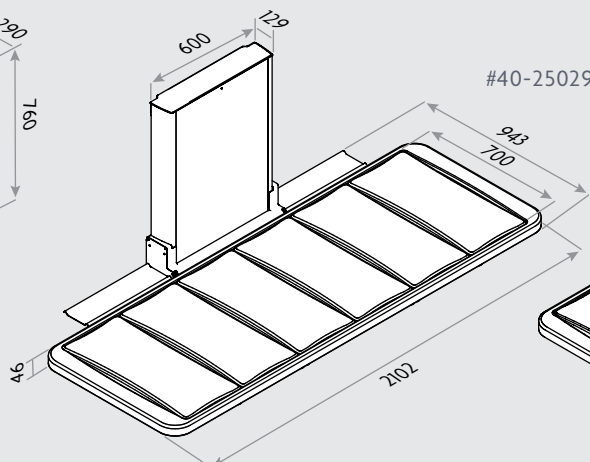
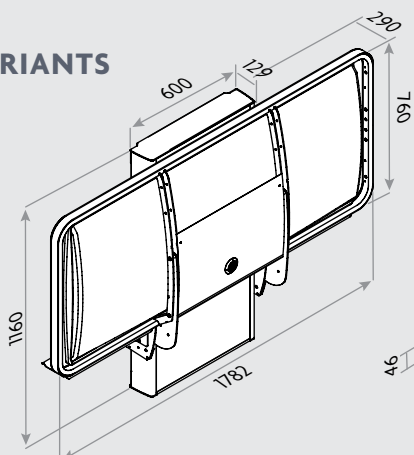
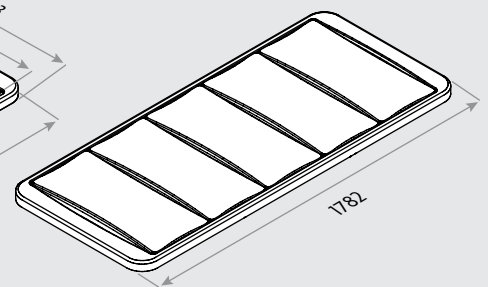


VARIANTS



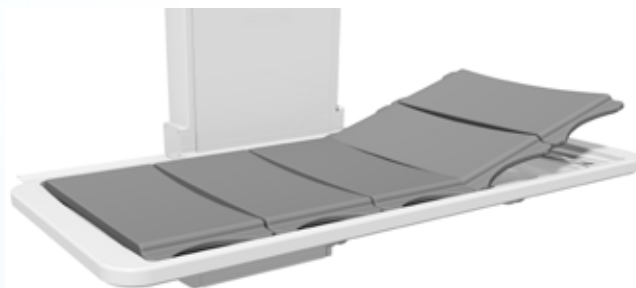
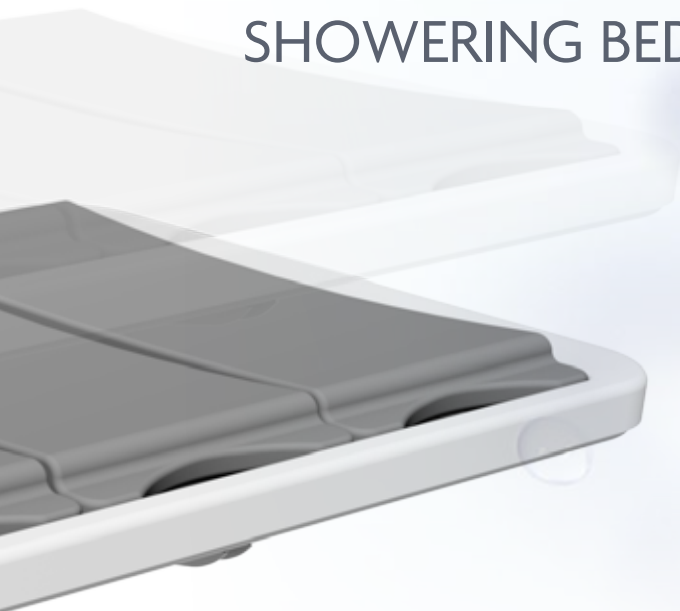
#40-25029

#40-25026



ROPOX

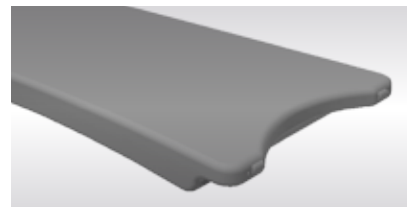
CHANGING AND SHOWERING BED



Comfortable backrest - giving good support and comfort



Electrical height adjustable bed 300-1000 mm
– Saves time when transferring and makes for a better work environment for carers.



Extremely comfortable – The slats have a soft and a hard side which can be used as needed. The bed's easy-to-clean design features removable slats.



Added safety – End guards and side rails can be fitted to provide extra safety for users. The see-through bed guard can be folded underneath the shower bed when not needed and for transfers.

MATERIALS

PUR SLATS
VACUUM FORMED PLASTIC
ALUMINIUM
COATED STEEL
STAINLESS STEEL

LOAD CAPACITY

MAX 150 KG WITH REF. TO DS/EN 12182

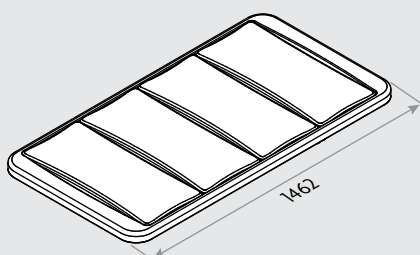
FUNCTIONAL DIMENSIONS

HEIGHT ADJUSTMENT
300-1000 MM

In situations where a person needs to be bathed lying down it is important that the bed can be lowered for the person to be transferred - e.g. to a wheelchair, as well as raised to a suitable working height for the carers. Optimum comfort and safety are also important.

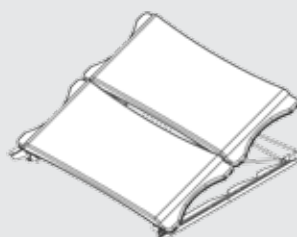
Space-saving – The bed can be folded up for additional space.

#40-25023

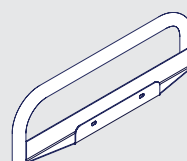


ACCESSORY

#40-25031



#40-25038



#40-25036

