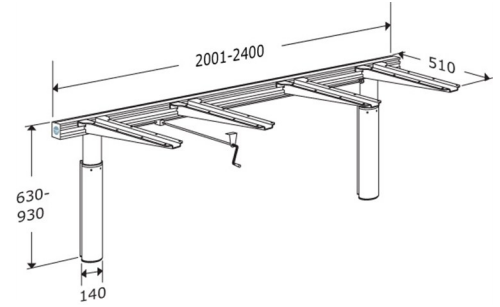




Product	Lift for worktop, manually height adjustable
Item number Product description	RK1113 EAN:5708590292786 HMI: 54802 Manual lift for worktop Lift for worktop, with a crank handle Including 4 brackets Lengths from 2001-2400mm Height adjustable 300mm Incl. fixing kit for brick wall Please state desired length when ordering
Adjustability Adjustment height Product capacity	Height adjustable Maximum load (evenly distributed): 100 kg including worktop.
Materials Ergonomy Features	Material: Telescopic leg: Aluminium, ABS plastic Cross braces: Aluminium Brackets: Steel Crank handle: Steel Surface treatment: Brackets: Powder lacquered (grey RAL 9006) Kitchen worktops which can be adjusted in height using a crank handle are the budget solution for kitchens catering to both seated and standing users. These are most commonly used in kitchens which do not require frequent, daily adjustment. Manual lifts are adjusted in height using a crank handle. They can be used with worktops, with or without an edge. The crank handle socket can be positioned anywhere along the front edge, except under a sink or hob. Lifts can be adapted to most standard kitchen components. Lifts are available for worktops of any length between 600 mm and 3000 mm. Height adjustable 300 mm.
Warranty	Pressalit makes a commitment to remedy material and manufacturing defects for a period of three years from the invoicing date.





PRESSALIT®

Product	Lift for worktop, manually height adjustable
Cleaning	<p>INDIVO lift for kitchen worktop. The product is to be cleaned with hot water or a mild soapy cleaning agent. Do not use chlorine based, corrosive or abrasive cleaners as it may result in the surface being damaged.</p> <p>The following cleaning agents have been tested by Pressalit and may be used, as long as they are diluted according to the instructions on the container.</p> <p>DISINFECTANTS: Clinimax Difficil-S Erisan OXY+</p> <p>NON-DISINFECTANTS: Suma Star free D1 Taski 100 Taski 200</p> <p>The product must be wiped down with a soft rag wrung out in clear water immediately after cleaning, as some materials may otherwise be discolored and stained, and the surface coating may deteriorate.</p> <p>DECALCIFICATION OF ALUMINUM PARTS: Pressalit recommends that chalky deposits be removed from wall tracks and other aluminum parts using a solution of three parts 30% acetic acid to seven parts tap water. When the aluminum parts have been washed down with this solution, the parts must be wiped over with a damp cloth wrung out in clear water.</p>



www.pressalit.com

Pressalit A/S
Pressalitvej 1
DK-8680 Ry
Tel.: +45 8788 8788
Fax: +45 8788 8789
E-mail: pressalit@pressalit.com

PRESSALIT®