

Installation instructions for the hanging device



Report No. 010

Distributor: Folder

Author: Nathanael Dubacher

Foreign representations
Home representations

Datum: 4. April 2014

1. INTRODUCTION.....	3
2. TERMINOLOGY	3
2.1. Handing device.....	5
2.1.1. Left barrier complete.(000735)	6
2.1.2. Parts list - Left barrier complete.....	7
2.1.3. Right barrier complete.(000745)	8
2.1.4. Part list-Right barrier complete.....	9
3. WHEELCHAIR ADAPTATION TO THE RL50 CEILING LIFT	10
3.1. Nodal point	10
3.1.1. Motors the downhill-side	10
3.1.2. Motors on the uphill-side	11
3.2. Installation sequence	12

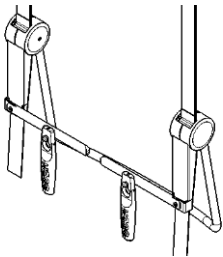

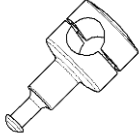
1. INTRODUCTION

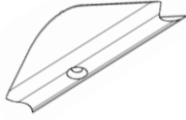

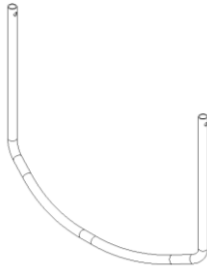

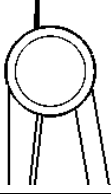
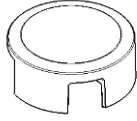
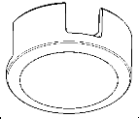


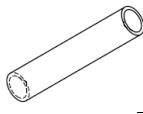
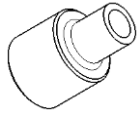
These installation instructions are for use as an aid when setting up at the customer. These instructions explain the individual steps for proper installation.

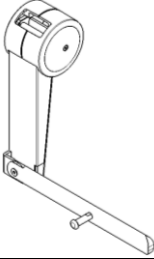
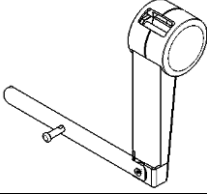


Fig. 1-1 Wheel chair with hanging device

2. Terminology

<p>Handing device complete</p>		<p>This is the complete assembly, comprising left barrier, right barrier, aluminium handles, carrying tube, carrying belts, wheelchair adapter and safety belts</p>
<p>Barrier</p>		<p>Barriers (left +right) Tilting trough 90°</p>
<p>wheelchair adapter</p>		<p>Wheelchair hanging device interface (wheelchair tube-Ø depending)</p>

Centrepiece		Lateral centring of the carrying bracket
Aluminium handle		If fixed to the end of the carrying belt the aluminium handle is suspended on the handing pegs
Carring belt		Black belt
Safety belt		If the carrying belt breaks, the safety belt is used.
Carrying bracket		C-shaped bent tube, the tube ends are connected with the nodal point. The Carrying bracket is suspended under the sliding handles of the wheelchair.
Cover		C-sheet
Nodal point		Designation of the point where the safety belts, carrying bracket meet, as well as the adjusted (clamped) length of the carrying belt
Outside node casing		Plastic casing painted RAL 7016
Inside node casing		Plastic casing painted RAL7016
Safety roller		The safety belt is fastened to this roller
Clamping roller		Galvanized and edge
Steering roller		Galvanized
Spacer		The carrying bracket ends are supported on two brass spacers

Right barrier complete		Preassembled module (No. 000745)
Left barrier complete		Preassembles module (No.00735)

2.1. Handing device

The handing device is supplied in separate preassembled modules. The deliverables comprise:

1. Carrying bracket, mounted with 2 centring pieces
2. Left barrier complete
3. Right barrier complete
4. 2 carrying belts with aluminium handles
5. 2 safety belts

2.1.1. Left barrier complete.(000735)

Drawing of the left barrier complete after assembly. The module is delivered preassembled.

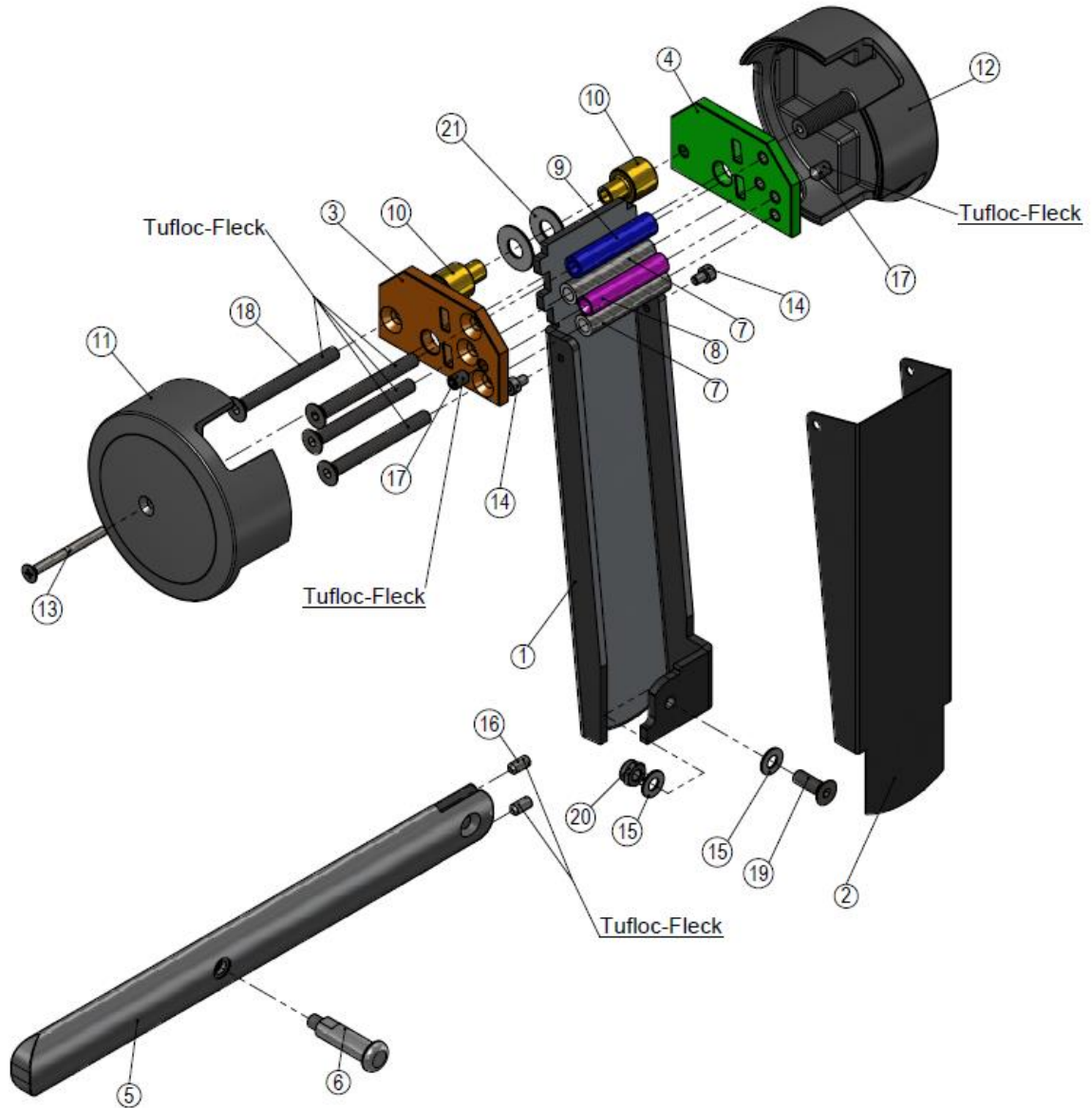


Fig. 2-1 Left barrier

2.1.2. Parts list - Left barrier complete

Item	Unit	Drawing no.	Ind.	Description	Material	Note
1	1	450	2	Left_barrier_plate	1.0050 (E295)	
2	1	419	2	Cover	1060 alloy	
3	1	451	0	Left_outer_plate	1.0037 (S235JRG2C, unit 37-2K)	
4	1	452	0	Right_outer_plate	1.0037 (S235JRG2C, unit 37-2K)	
5	1	486	1	Barrier	3.3549 (EN-AW 5182)	
6	1	422	0	Peg	1.0037 (unit 37)	
7		737	0	Roller	Unalloyed construction steel	
8	1	738	0	Clamping roller	1.0037 (unit 37)	
9	1	739	0	Safety roller	1.0037 (unit 37)	
10		743	0	Spacer	Brass	
11	1	731	1	Outer_node_casing	Polyurethane hard foam	
12	1	732	1	Inner_node_casing	Polyurethane hard foam	
13	1			Countersunk screw ISO 7046-1 - M4 x 45		BN388 - M4x35
14	2			Allen screw DIN 912 - M4 x 6		
15	2			Plate_spring_DIN2093-6.2-FSt.		BN804- 12.5x6.2x0.7
16	2			Threaded pin ISO 7436 - M5 x 10		BN5210 (Tufloc mark)
17	2			Threaded pin DIN 914 - M6 x 10		BN5210 (Tufloc mark)
18	4			Countersunk Allen screw DIN 7991 - M6 x 60		K+W Catalogue no. 513291500 (Tufloc mark)
19	1			Countersunk Allen screw DIN 7991 - M6 x 18		
20	1			Hexagonal locknut, below ISO 10511 - M6		
21	2			Plate_spring_BN806_20_10.2_0.9		

Fig. 2-2 Part list-Left barrier complete

2.1.3. Right barrier complete.(000745)

Drawing of the right barrier complete after assembly. The module is delivered preassembled.

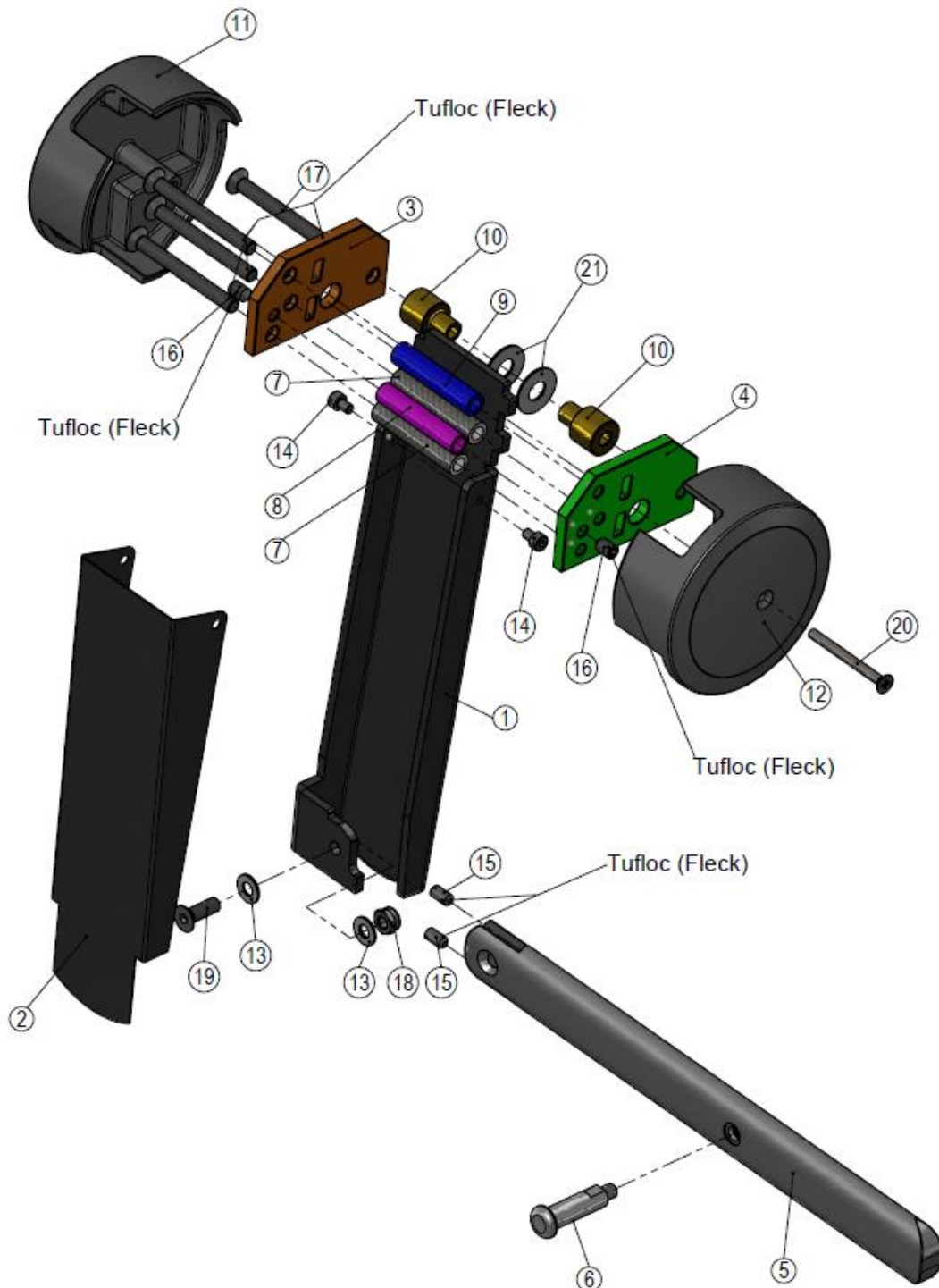


Fig. 2-3 Right barrier complete

2.1.4. Part list-Right barrier complete

Item	Unit	Drawing no.	Ind.	Description	Material	Note
1	1	415	2	Right barrier plate	1.0050 (E295)	
2	1	419	2	Cover	1060 alloy	
3	1	451	0	Left_outer_plate	1.0037 (S235JRG2C, unit 37-2K)	
4	1	452	0	Right_outer_plate	1.0037 (S235JRG2C, unit 37-2K)	
5	1	486	1	Barrier	3.3549 (EN-AW 5182)	
6	1	422	0	Peg	1.0037 (unit 37)	
7		737	0	Roller	Unalloyed construction steel	
8	1	738	0	Clamping roller	1.0037 (unit 37)	
9	1	739	0	Safety roller	1.0037 (unit 37)	
10		743	0	Spacer	Brass	
11	1	731	1	Outer_node_casing	Polyurethane hard foam	
12	1	732	1	Inner_node_casing	Polyurethane hard foam	
13	2			Plate_spring_DIN2093-6.2-FSt.		BN804- 12.5x6.2x0.7
14	2			Allen screw DIN 912 - M4 x 6		
15	2			Threaded pin ISO 7436 - M5 x 10		BN5210 (Tufloc mark)
16	2			Threaded pin DIN 914 - M6 x 10		BN5210 (Tufloc mark)
17	4			Countersunk Allen screw DIN 7991 - M6 x 60		K+W Catalogue no. 513291500 (Tufloc mark)
18	1			Hexagonal locknut ISO 10511 -M6		
19	1			Countersunk Allen screw DIN 7991 - M6 x 18		
20	1			Countersunk screw ISO 7046-1 - M4 x 45		BN388 - M4x45
21	2			Plate_spring_BN806_20_10.2_0.9		

Fig. 2-4 Part list - Right barrier complete

3. Wheelchair adaptation to the RL50 ceiling lift

The wheel chair must be expertly assessed by a Hogg authorized specialist. The complete hanging and the lift adjustment must be performed by a Hogg factory representative. Otherwise, we will refuse any liability!

The wheelchair is a part of the lift system and is included in the safety assessment! It must be compliant according to EU RL 93/42/EEC for medical products and have the corresponding CE marking.

3.1. Nodal point

3.1.1. Motors the downhill-side

If the RL50 drive motors are on the downhill-side, the carrying belts and safety belts are installed as follows.

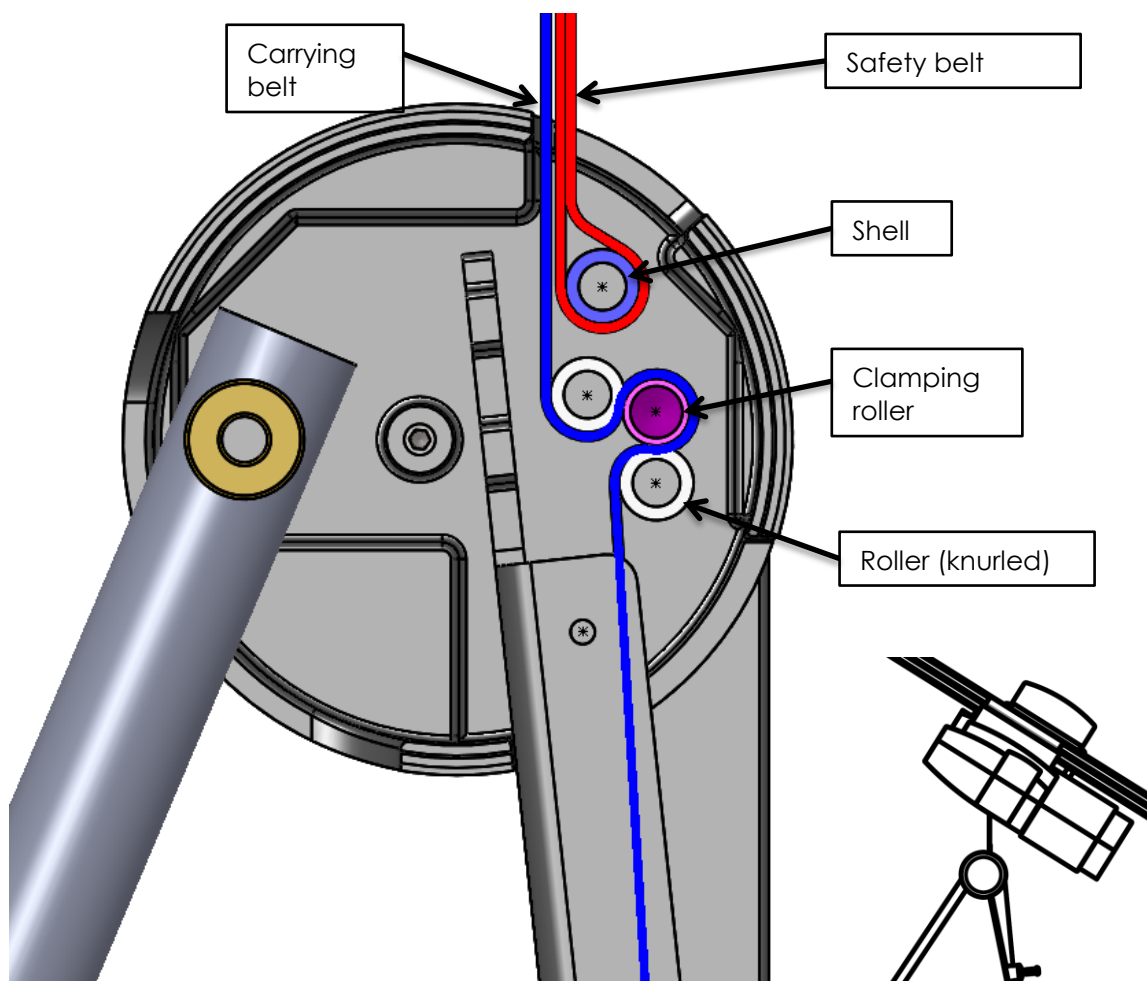


Fig. 3-1 Nodal point with Motor on the downhill side

3.1.2. Motors on the uphill-side

If the RL50 drive motors are on the uphill-side , the carrying belts and safety belts are installed as follows:

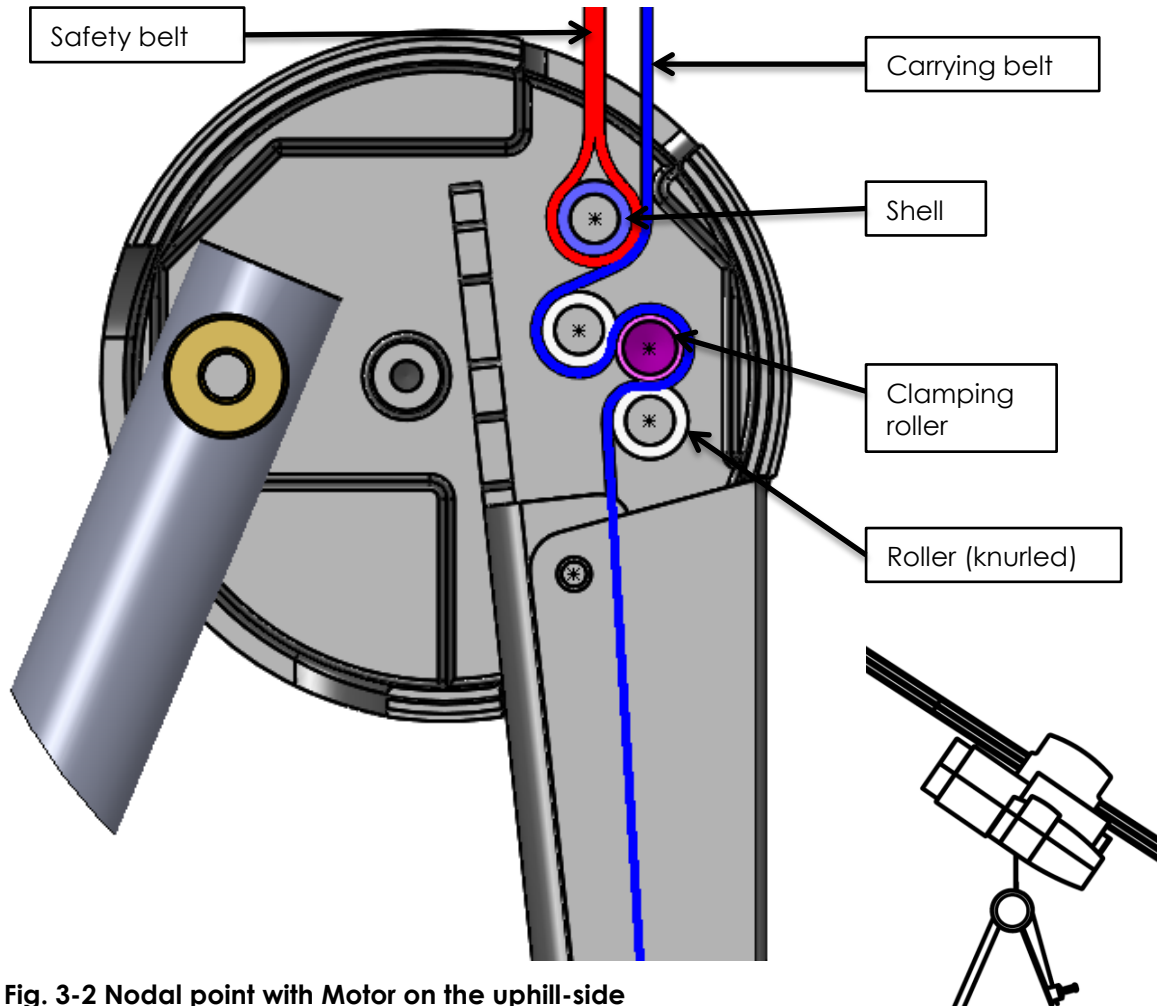


Fig. 3-2 Nodal point with Motor on the uphill-side

3.2. Installation sequence

